

EYECOMMAND™- Advanced Communicating Thermostat Network and Software Application

Highlights of the EYECOMMAND™ Hotel Control Network

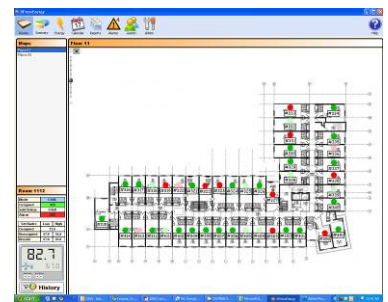
- | | |
|--|---|
| <ul style="list-style-type: none"> • Wireless RF ZigBee® Technology option • RS485 Serial communication standard • MODBUS RTU open protocol • Star , Cluster, Tree or Mesh networking configuration • Ultra low power design • Up to 5 minute data resolution • Fully programmable, automated HVAC • Fully programmable Alarm settings (Email) | <ul style="list-style-type: none"> • Full room-by-room occupancy data • Full room-by-room thermostat control • Graphical and numerical reporting data • Micros Opera 5™ PMS interface • Image based property mapping • Unique Demand Response and Event scheduler • Seasonal and weather based settings profiles • Guest register and VIP custom profiles |
|--|---|

Product Description

The Energy Eye® EYECOMMAND™ network is an advanced HVAC management solution comprised of a wired or wireless data network, communicating thermostat interfaces and software application and database. This solution was developed specifically for one of the world’s leading luxury hotel brands. It incorporates all of the features required to centrally manage a hotel’s guestroom HVAC systems plus the added value of the Award Winning, Platinum Certified EYEPower™ occupancy based control system to deliver near real-time room-by-room occupancy status and information.

The EYECOMMAND™ software is easy to learn and use with a fully graphical interface (includes image based mapping), yet is fully programmable and customizable. To assist the building engineer this software can be scheduled and automated to account for various building orientations, seasonal occupancy and weather. It also uniquely features the ability to set up HVAC load-shedding and demand response functions to deliver additional kW savings for utility time-of-use and curtailment contracts. Typically, this is never done on the guestroom level, but with EYECOMMAND™ it is now possible. This is due to the extremely high accuracy of the EYEPower™ guestroom occupancy sensing solution.

EYECOMMAND™ is available in both RS485 serial network (MODBUS/RTU) and wireless ZigBee® network formats. Our ZigBee® platform is based on the robust HELICOMM IP-Link network, normally found in military and industrial applications and complies with IEEE 802.15.4 standards. The EYECOMMAND™ thermostat interface is fully programmable and features an easy-to-use large backlit LCD display.



Product Specifications

	ZigBee® Network	A8300 Communicating Thermostat
Voltage Input Range	5~30VDC	24VAC
Current Draw	<380mA (Tx), <165mA (Rx)	120mA
Channels	16 (5 MHz)	N/A
Max Data Rate	250 kbps	9600 bps
Range	1200m (LOS)	32 (RS485 nodes)
Sensitivity	-104 dBm (Rx)	0.5° C (Temperature)
Receiver	2.4 GHz QPSK	RS485/RTU
Dimensions (L x W x D)	107mm x 57mm x 37mm	120mm x 75mm x 42mm
Certifications	FCC/CE	CE

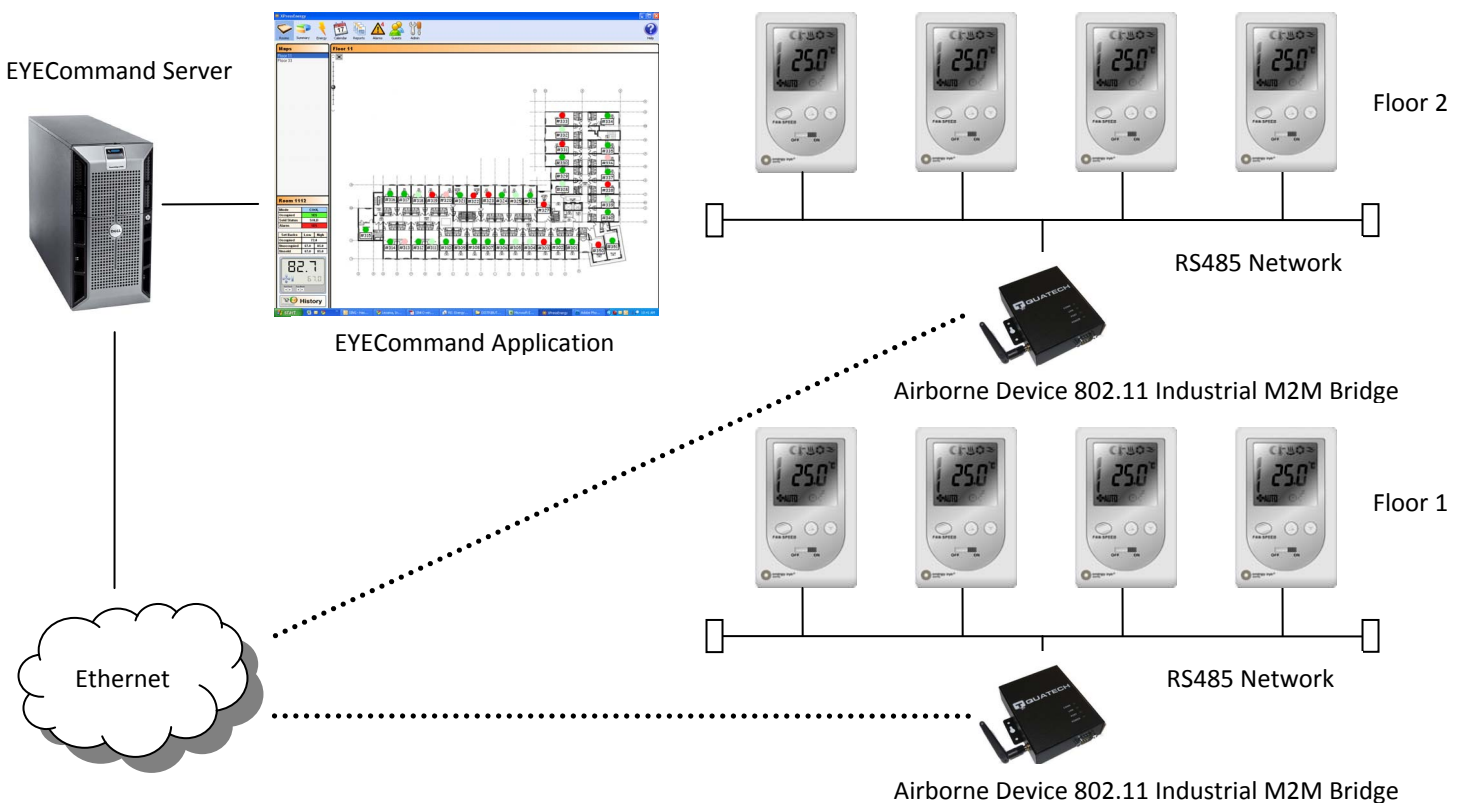
Energy Eye, Inc.
 13367 Kirkham Way, Suite 110
 Poway, CA 92064 USA
 Tel: 01 858 391 9085
 Fax: 01 858 391 9087
 eMail: info@energy-eye.com
 Web: www.energy-eye.com



Network Configurations

The following are examples of network configurations for the EYECommand Solution:

EYECommand with RS485 Serial to IP Network – Up to 32 thermostat devices per Ethernet Bridge



EYECommand with Wireless Helicomm ZigBee to IP Network – Up to 30 thermostat devices per Ethernet Bridge

